



HONDA CBR600F

SLIP-ON STREET LEGAL EXHAUST SYSTEM

HONDA CBR 600F

SLIP-ON STREET LEGAL EXHAUST SYSTEM

The Akrapovič Slip-On exhaust system is designed for riders who do not want to make expensive and major modifications to their stock exhaust system. However, the Hexagonal muffler delivers great looks as well as increased performance for the popular Honda. The Akrapovič Slip-On system is also street legal.

PERFORMANCE

Measurements of the Akrapovič Slip-On system on the Honda CBR600F (without muffler insert):

Power & Torque:

The system follows the stock power curve at the low end of the rpm range. From 5000 rpm on, the Akrapovič Slip-On adds an increase in power, all the way up to the top of the rpm range. The torque increase is spread throughout the entire rpm range and is suited to more relaxed everyday riding.



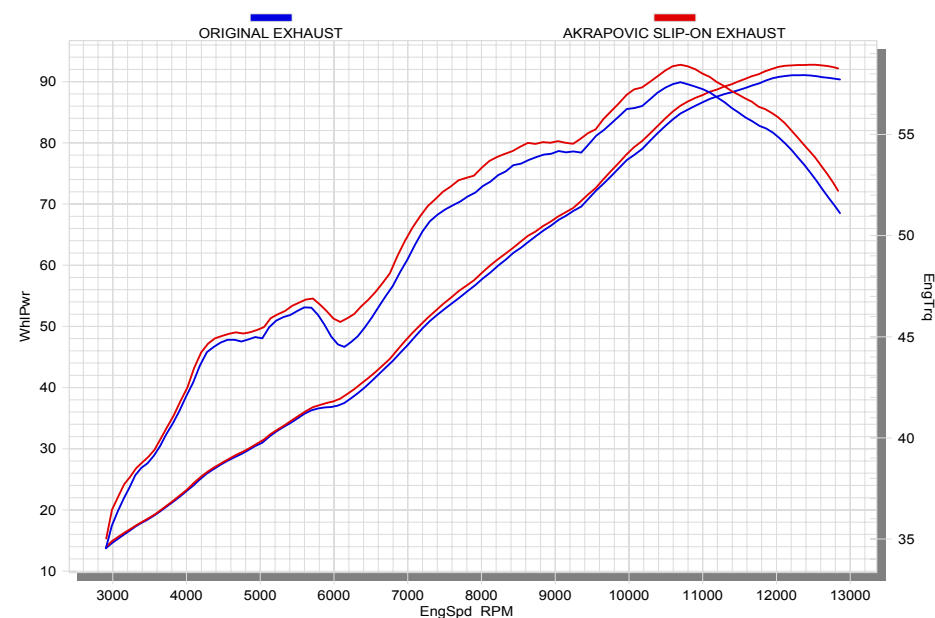
PERFORMANCE			
	stock	AKRAPOVIC	max. increased power
max. rear wheel power HP / rpm (measured on SuperFlow Cyle Dyn)	91.1 / 12400	92.8 / 12550	2 / 12600

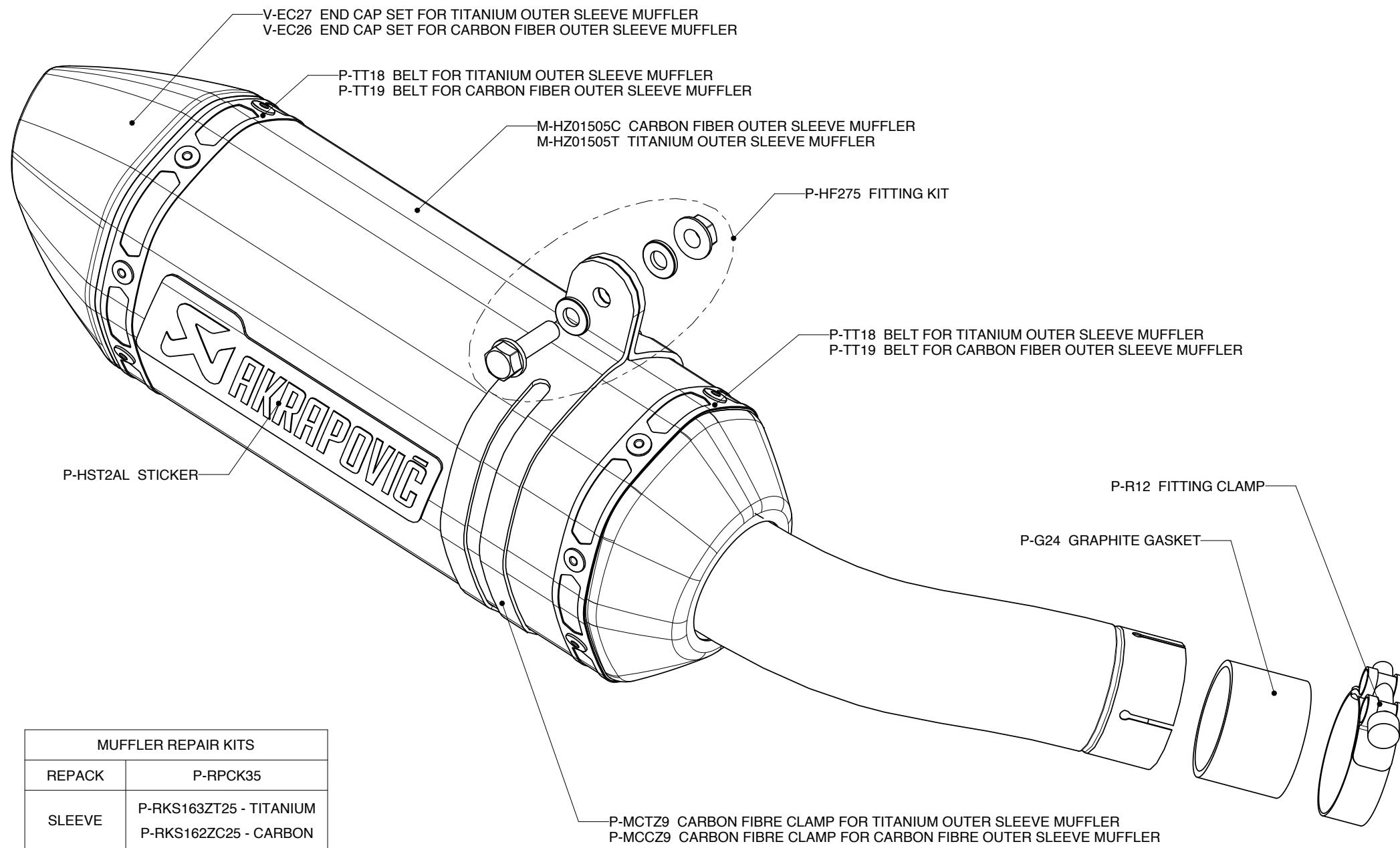
ADDITIONAL DATA					
weight comparison (kg)	stock	AKRAPOVIC		difference	
	2	SS link pipe	TITANIUM link pipe	stock - S.S.	stock - TITANIUM
		-	1.4	-	0.6

noise measurements (dB / rpm)	stock	AKRAPOVIC
		93 / 6000
legal for street use	YES	

Technical specifications of Akrapovic exhaust systems and related products subject to change without notice.

Product code: S-H6SO12-HZC, S-H6SO12-HZT





MUFFLER REPAIR KITS	
REPACK	P-RPCK35
SLEEVE	P-RKS163ZT25 - TITANIUM P-RKS162ZC25 - CARBON